

1 2 3 4 5 6

A

B

C

D

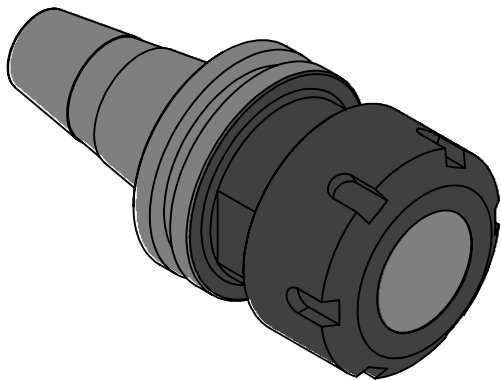
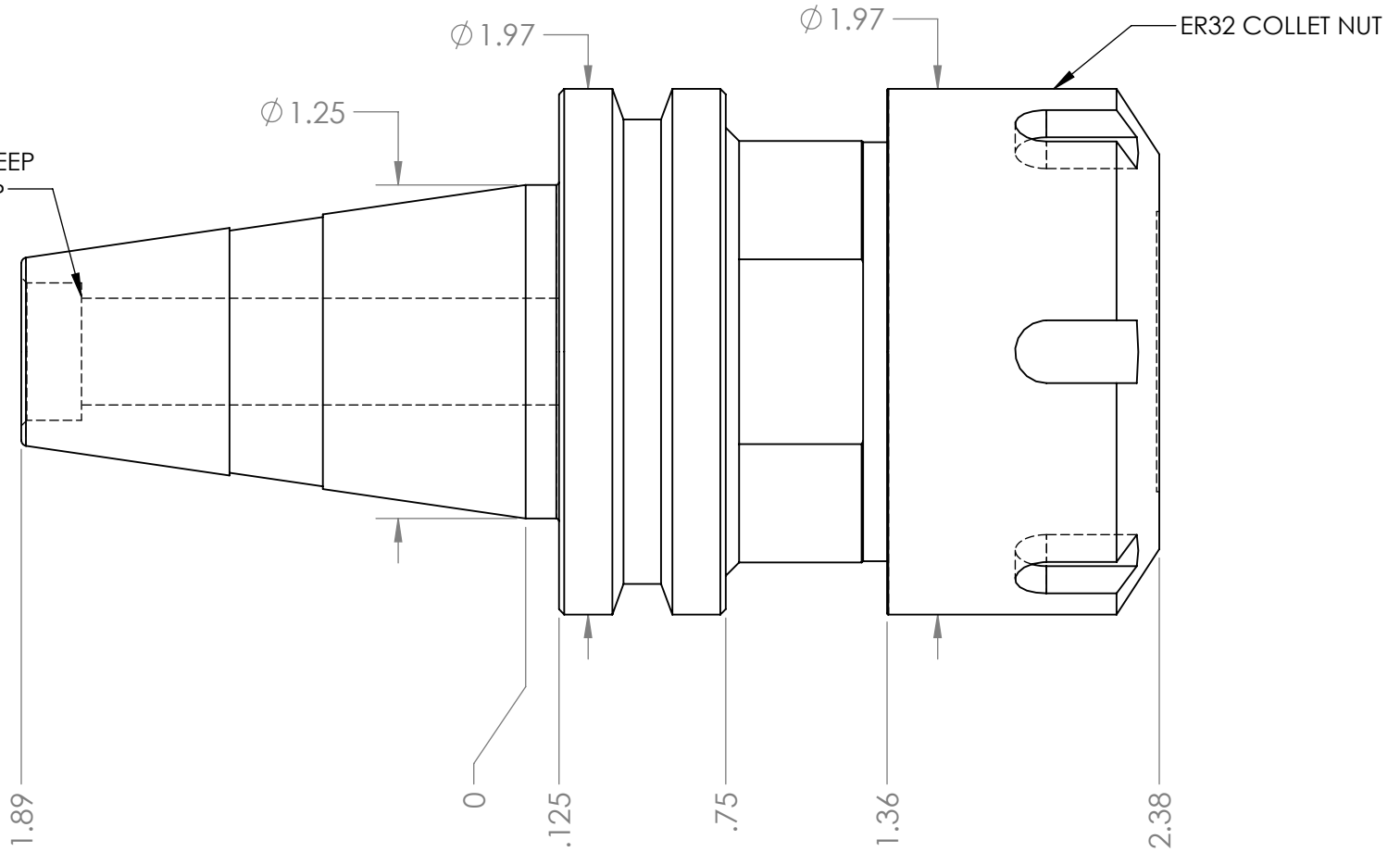
A

B

C

D

M12 x 1.75 THREAD x 1.25 DEEP
C'BORE DIA .515 x .230 DEEP



NOTES:

WORKS ON ALL ISO30 MACHINES
 ACCEPTS ALL ER32 COLLETS FROM .039"-.875"
 USES WRENCH PART # ER32-WRENCH (NOT INCLUDED)
 FOR MORE PRODUCT DETAILS PLEASE GO TO MARITOO.COM
 AND SEARCH ITEM # LISTED ON THIS PRINT

MARITOO

WWW.MARITOO.COM

ITEM#

ISO30 ER32-60

Made in USA

1 2 3 4 5 6